

The Tiffany T80 Series

Full-Height Turnstiles
Interior & Exterior Application

T80S • T80T

The Tiffany T80S (single shown here) and the T80T (twin) are full security, tamper-resistant, full-height turnstiles. Both are equipped with Ovaline arms.



T80 Series (Single or Twin)

The T80S (single, shown above) and T80T (twin) are full security, tamper-resistant, full-height turnstiles. Both are equipped with Ovaline arms measuring 1/2" x 2" x 24".

T80S (Single)

Exterior Height: 89.5"

Width: 65.68"

Pedestrian Clearance: 30"

T80T (Tandem)

Exterior Height: 89.5"

Width: 96.18"

Pedestrian Clearance: 27"



Available as a Metal-Detect Door where higher security needs exist. Metal detection and bullet-resistant panels are available in varying performance specs based on your application.

8641 S. Warhawk Rd. Conifer, CO 80433
(303) 647-1569 x101 (303) 679-8949 fax
Patrick.McAllister@TURNSTILES.us

The Tiffany P60 Series

Full-Height Turnstiles
Interior & Exterior Application

P60

Applications:

Featuring a canopy and Lexan™ arms for a more modern, open look, the P60 turnstile is a three vane turnstile with weather resistant finish and automatic indent Feather-Touch™ action (that includes shock suppressor and non-entrapment features).

Product Features:

Model P60:

Uses polycarbonate arms for a modern, un-caged appearance, 94" to 102" available exterior height, 84" interior height, 72" deep; 75" width, .75" x 21" x 28" arms.

Installation:

Detail drawings, installation and maintenance instructions shall be furnished by the manufacturer.

Materials:

P60 uses 6005-T6 anodized aluminum extrusions and GE's transparent Lexan™ polycarbonate cage panels, fluted design support with 4 mounting columns for retaining barrier arms, spacers and panels by means of concealed roll-spring pins. Center column has three equally spaced recesses for retaining arm assemblies. The P60 is equipped with GE Lexan™ polycarbonate arms.

Control Mechanism:

Advanced modular design is equipped with auto-indexing, adjustable shock suppression, permanently lubricated bearings, hardened alloy cams and locking bars.

Finish:

Standard anodized finishes are clear, dark bronze and black.

Pedestrian Flow Movements:

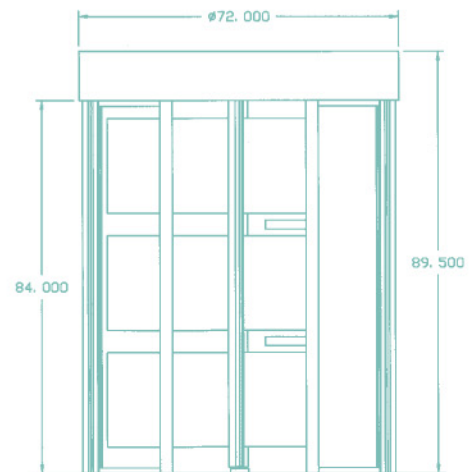
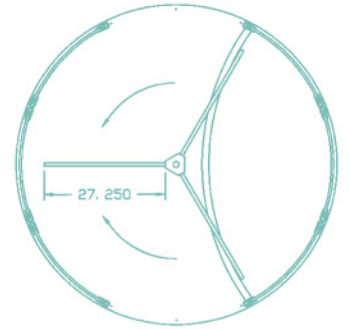
Standards: free-flow, no flow, and controlled flow each separate direction.

Control Options-Lock:

Includes 24 VDC power supply, solenoid, Lock assembly, logic controller with card reader interface.

Pedestrian Flow Movements:

Card readers, fingerprint scanners, push buttons, token acceptors, consult factory for other options.



Electrical Specifications:

Command module input 110-240 VAC (2 amp-1 amp) 50-60 Hz; control voltage 24 VDC. All electrical components are UL recognized and CSA certified.

Warranty:

Units are warranted against defects in materials and workmanship for a period of one year from date of delivery. See warranty information for specific details.



8641 S. Warhawk Rd. Conifer, CO 80433
(303) 647-1569 x101 (303) 679-8949 fax
Patrick.McAllister@TURNSTILES.us