

The Venue Series

Waist-High Turnstiles
Portable Unit - Interior & Exterior Application

VE500-P

The Venue Series is made for years of reliable service in high traffic/volume applications like stadiums, convention centers, landmarks and military bases. The cabinets are constructed of heavy 14-gauge, 300 series satin stainless steel and feature our Enduro Control Head (with auto indexing and shock suppression technology). Thousands are currently in use at leading pro-sports venues, amusement parks and high-profile attractions worldwide. The Venue is the ticket to managing large crowds with reliability and speed.



Ask
about our fleet
of rental units.

VE500-P

8641 S. Warhawk Rd. Conifer, CO 80433
(303) 647-1569 x101 (303) 679-8949 fax
Patrick.McAllister@TURNSTILES.us

The Venue Series

Waist-High Turnstiles Portable Unit - Interior & Exterior Application

VE500-P

Applications:

This series is made for years of reliable service in high traffic/volume environments like stadiums, convention centers, amusement parks, landmarks and military bases.

Product Features:

Materials and Finishes:

Units are finished in your choice of:

- Our signature 304 stainless steel/ No. 4 satin finish

Design & Construction:

- Designed for secure & reliable operation with aesthetics in mind
- Cabinet inner and outer shells and cover are constructed of (14 gauge) 304 stainless steel/ No. 4 satin finish
- Arms constructed of 1-5/16" (33mm) diameter, (12 gauge) stainless
- Hub 4-1/2" (114mm) o.d. also made from stainless
- Minimal exposed hardware

Measures:

Height: 37" (940mm)

Width: 27 1/4" (692mm)

Depth: 8 5/8" (203mm)

Base: 28" x 30" (699mm x 762mm)

Controller &

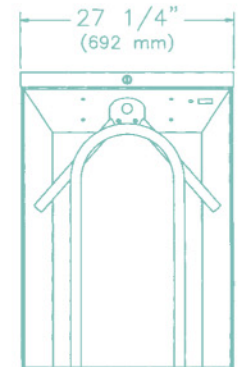
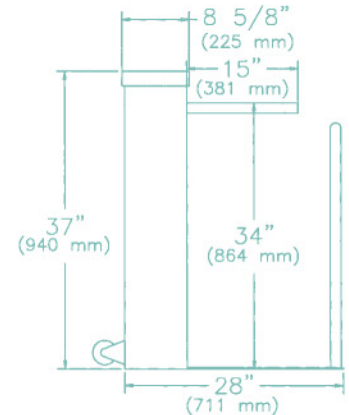
Access Control Operation:

- Self-centering control head with adjustable hydraulic shock suppression
- Hardened tool steel locking bars, cam and roller assemblies
- Permanently lubricated bearings
- All units are available in clockwise, counter-clockwise or bi-directional passage
- Keylock Feature - Control direction of travel manually by key (to lock /unlock), or may be used to override electronic controls

Options:

- Electronic lock modules include heavy-duty 24 vdc pull-type industrial solenoids:
- Available in each separate direction: fail-safe (open on power failure) or fail-lock (lock on power failure) modes
- Interfacing to card readers, computer attendance systems, coin and token acceptors, push buttons and wireless remote controls
- Electronic 6 digit resettable counter with LCD display and ten-year lithium battery
- Additional options available on request

Our matching ADA gate (model VE500-ADA with optional motorization) is available for the Venue Series, along with coin, ticket and scanner units.



Electrical Specifications:

Command module input 110-240 VAC (2 amp-1 amp) 50-60 Hz; control voltage 24 VDC. All electrical components are UL recognized and CSA certified.

Standards and Codes:

Austenitic stainless steel:
ASTM A240, A249, A276
Hot rolled steel:
AISI C-1020, AISI C-1018
Hot dipped galvanizing:
ASTM A-143, ASTM A-153-80
Stainless steel fasteners:
ASTM A-320
American Welding Society (AWS)
Standard D 1.1

Warranty:

Units are warranted against defects in materials and workmanship for a period of one year from date of delivery. See warranty information for specific details.

ENDURO™ Electronic Control Head

EA Controlled Traffic flow both directions

EB Controlled Traffic flow one direction, uncontrolled opposite direction

EC Controlled Traffic flow one direction, no traffic flow opposite direction

ENDURO™ Manual Control Head

MD Uncontrolled traffic flow one direction, no traffic flow opposite direction

MF Uncontrolled traffic flow both directions

MG Key controlled each direction



8641 S. Warhawk Rd. Conifer, CO 80433
(303) 647-1569 x101 (303) 679-8949 fax
Patrick.McAllister@TURNSTILES.us